


# + GM1

## 2-WAY HIGH PRESSURE BALL VALVES



### CARBON STEEL

- Type: ball valve GM1 2way 
- Body: round
- Material: 1,0570/1,4404
- Ball seats: from DN6 up to DN25
- O-Rings: NBR, FKM, EPDM, MVQ
- Operating pressure: 50 Bar to 500 Bar S800 to S6000 PN depending on valve size and seal materials selected
- Fire safe BS 6755
- Antistatic device
- Temp range: -20°C to +100°C depending on seal material selected

#### GM1

Type and way of valve  
GM1 2-way


#### G 1/2

GAS DIN/ISO 228 BSP	NPT ANSI/ASME B1.20.1
G 1/4	N 1/4
G 3/8	N 3/8
G 1/2	N 1/2
G 3/4	N 3/4
G 1	N 1

#### DN13 A105 316L POM B

Nominal dimension	Body and adapter material	Stem and ball material	Ball seat material	Adapter and stem seal material
DN6	A105 1,0570	316L 1,4404	A POM	B NBR
DN10			D PEEK	E FKM
DN13			C PTFE	F EPDM
DN20				L MVQ
DN25				

### STAINLESS STEEL

- Type: ball valve GM1 2way 
- Body: round
- Material: 1,4404
- Ball seats: from DN6 up to DN25
- O-Rings: NBR, FKM, EPDM, MVQ
- Operating pressure: 50 Bar to 500 Bar S800 to S6000 PN depending on valve size and seal materials selected
- Fire safe BS 6755
- Antistatic device
- Temp range: -60°C to +230°C depending on seal material selected

#### GM1

Type and way of valve  
GM1 2-way

#### G 1/2

GAS DIN/ISO 228 BSP	NPT ANSI/ASME B1.20.1
G 1/4	N 1/4
G 3/8	N 3/8
G 1/2	N 1/2
G 3/4	N 3/4
G 1	N 1

#### DN13 316L 316L POM B

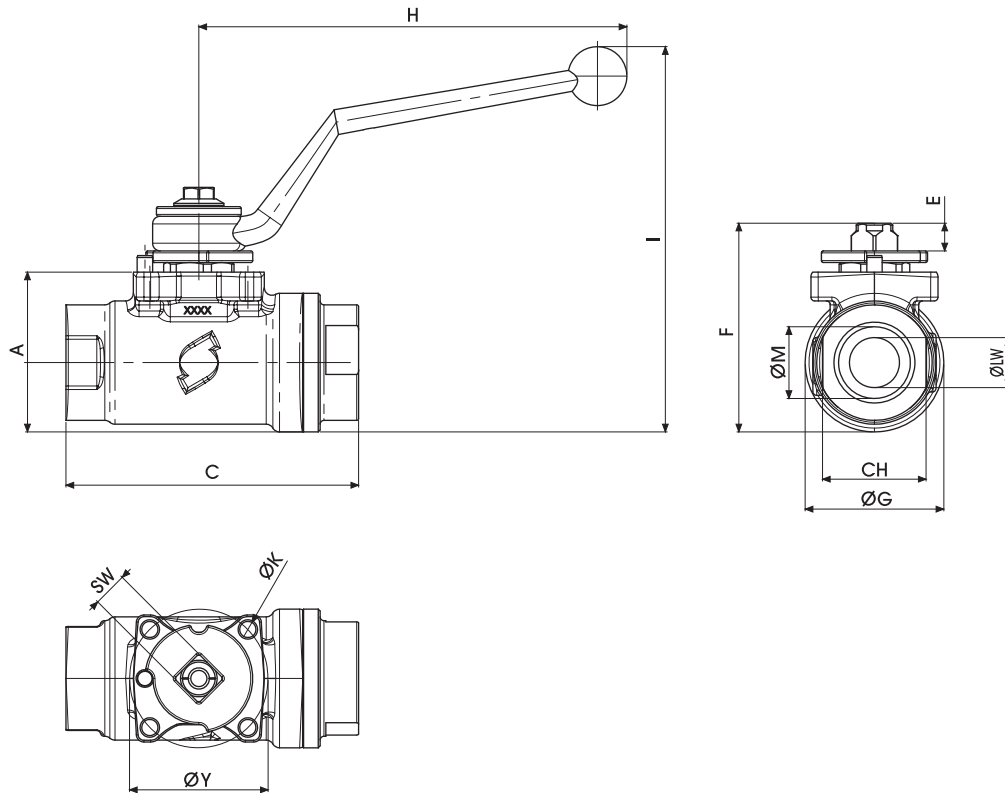
Nominal dimension	Body and adapter material	Stem and ball material	Ball seat material	Adapter and stem seal material
DN6	316L 1,4404	316L 1,4404	A POM	B NBR
DN10			D PEEK	E FKM
DN13			C PTFE	F EPDM
DN20				L MVQ
DN25				

GM1



# + GM1 2-WAY HIGH PRESSURE BALL VALVES

*Specialist in Ball Valves*



## GM1 DIN/ISO 228 BSP

*Standard*

TYPE	DN	A	C	E	F	ØG	H	I	L	ØK	ØY	ØM	CH	SW	ØLW	KG
GM1 G 1/4	6	37,5	72	8	53	31	102,5	94	15,5	M5	36	G 1/4	22	9	6	0,41
GM1 G 3/8	10	37,5	72	8	53	31	102,5	94	15,5	M5	36	G 3/8	22	9	10	0,40
GM1 G 1/2	13	42	81	8	57	36	102,5	100	17	M5	36	G 1/2	27	9	13	0,50
GM1 G 3/4	20	60	98	14	83	49	180	115	21	M6	50	G 3/4	35	14	20	1,45
GM1 G 1	25	68	106	14	91	59	180	123	24	M6	50	G 1	42	14	25	1,98

# + GM1

## 2-WAY HIGH PRESSURE BALL VALVES

[www.gemels.it](http://www.gemels.it)

(POM seal)

GM1 DIN/ISO 228 PN

DN	PN	GM1	
		CARBON STEEL	STAINLESS STEEL
DN	PN	ITEM CODE	ITEM CODE
6	500	GM1GGT15024A000	GM1GGT15044A000
10	500	GM1GGT25024A000	GM1GGT25044A000
13	500	GM1GGT35024A000	GM1GGT35044A000
20	400	GM1GGT44024A000	GM1GGT44044A000
25	350	GM1GGT53024A000	GM1GGT53044A000

(POM seal)

GM1 DIN/ISO 228 S3000

DN	PN	GM1	
		CARBON STEEL	STAINLESS STEEL
DN	PN	ITEM CODE	ITEM CODE
6	S3000	GM1GGT1F024A000	GM1GGT1F044A000
10	S3000	GM1GGT2F024A000	GM1GGT2F044A000
13	S3000	GM1GGT3F024A000	GM1GGT3F044A000
20	S3000	GM1GGT4F024A000	GM1GGT4F044A000
25	S3000	GM1GGT5F024A000	GM1GGT5F044A000

(POM seal)

GM1 DIN/ISO 228 S6000

DN	PN	GM1	
		CARBON STEEL	STAINLESS STEEL
DN	PN	ITEM CODE	ITEM CODE
6	S6000	GM1GGT1G024A000	GM1GGT1G044A000
10	S6000	GM1GGT2G024A000	GM1GGT2G044A000
13	S6000	GM1GGT3G024A000	GM1GGT3G044A000
20	S6000	GM1GGT4G024A000	GM1GGT4G044A000
25	S6000	GM1GGT5G024A000	GM1GGT5G044A000

(PEEK seal)

GM1 DIN/ISO 228 PN

DN	PN	GM1	
		CARBON STEEL	STAINLESS STEEL
DN	PN	ITEM CODE	ITEM CODE
6	500	GM1GGT15024P000	GM1GGT15044P000
10	500	GM1GGT25024P000	GM1GGT25044P000
13	500	GM1GGT35024P000	GM1GGT35044P000
20	400	GM1GGT44024P000	GM1GGT44044P000
25	350	GM1GGT53024P000	GM1GGT53044P000

(PEEK seal)

GM1 DIN/ISO 228 S3000

DN	PN	GM1	
		CARBON STEEL	STAINLESS STEEL
DN	PN	ITEM CODE	ITEM CODE
6	S3000	GM1GGT1F024P000	GM1GGT1F044P000
10	S3000	GM1GGT2F024P000	GM1GGT2F044P000
13	S3000	GM1GGT3F024P000	GM1GGT3F044P000
20	S3000	GM1GGT4F024P000	GM1GGT4F044P000
25	S3000	GM1GGT5F024P000	GM1GGT5F044P000

(PEEK seal)

GM1 DIN/ISO 228 S6000

DN	PN	GM1	
		CARBON STEEL	STAINLESS STEEL
DN	PN	ITEM CODE	ITEM CODE
6	S6000	GM1GGT1G024P000	GM1GGT1G044P000
10	S6000	GM1GGT2G024P000	GM1GGT2G044P000
13	S6000	GM1GGT3G024P000	GM1GGT3G044P000
20	S6000	GM1GGT4G024P000	GM1GGT4G044P000
25	S6000	GM1GGT5G024P000	GM1GGT5G044P000

(PTFE seal)

GM1 DIN/ISO 228 S800

DN	PN	GM1	
		CARBON STEEL	STAINLESS STEEL
DN	PN	ITEM CODE	ITEM CODE
6	S800	GM1GGT1A024F000	GM1GGT1A044F000
10	S800	GM1GGT2A024F000	GM1GGT2A044F000
13	S800	GM1GGT3A024F000	GM1GGT3A044F000
20	S800	GM1GGT4A024F000	GM1GGT4A044F000
25	S800	GM1GGT5A024F000	GM1GGT5A044F000

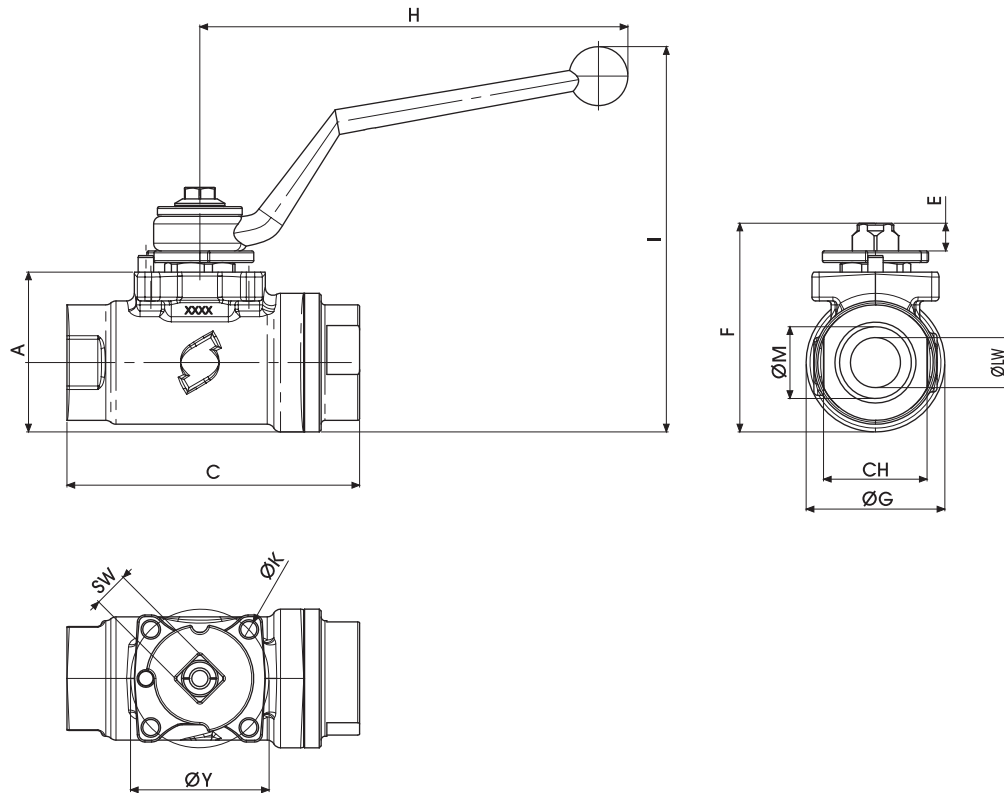
(PTFE seal)

GM1 DIN/ISO 228 S3000

DN	PN	GM1	
		CARBON STEEL	STAINLESS STEEL
DN	PN	ITEM CODE	ITEM CODE
6	S3000	GM1GGT1F024F000	GM1GGT1F044F000
10	S3000	GM1GGT2F024F000	GM1GGT2F044F000
13	S3000	GM1GGT3F024F000	GM1GGT3F044F000
20	S3000	GM1GGT4F024F000	GM1GGT4F044F000
25	S3000	GM1GGT5F024F000	GM1GGT5F044F000

# + GM1 2-WAY HIGH PRESSURE BALL VALVES

*Specialist in Ball Valves*



## GM1 ANSI/ASME B1.20.1 NPT

*Standard*

TYPE	DN	A	C	E	F	ØG	H	I	L	ØK	ØY	ØM	CH	SW	ØLW	KG
GM1 N 1/4	6	37,5	72	8	53	31	102,5	94	15,5	M5	36	N 1/4	22	9	6	0,41
GM1 N 3/8	10	37,5	72	8	53	31	102,5	94	15,5	M5	36	N 3/8	22	9	10	0,40
GM1 N 1/2	13	42	81	8	57	36	102,5	100	17	M5	36	N 1/2	27	9	13	0,50
GM1 N 3/4	20	60	98	14	83	49	180	115	21	M6	50	N 3/4	35	14	20	1,45
GM1 N 1	25	68	106	14	91	59	180	123	24	M6	50	N 1	42	14	25	1,98

# + GM1

## 2-WAY HIGH PRESSURE BALL VALVES

[www.gemels.it](http://www.gemels.it)

**(POM seal) GM1 ANSI/ASME B1.20.1 NPT PN**

DN	PN	CARBON STEEL		STAINLESS STEEL	
		ITEM CODE	ITEM CODE	ITEM CODE	ITEM CODE
6	500	GM1NNT15024A000	GM1NNT15044A000	GM1NNT15044A000	GM1NNT15044A000
10	500	GM1NNT25024A000	GM1NNT25044A000	GM1NNT25044A000	GM1NNT25044A000
13	500	GM1NNT35024A000	GM1NNT35044A000	GM1NNT35044A000	GM1NNT35044A000
20	400	GM1NNT44024A000	GM1NNT44044A000	GM1NNT44044A000	GM1NNT44044A000
25	350	GM1NNT53024A000	GM1NNT53044A000	GM1NNT53044A000	GM1NNT53044A000

**(POM seal) GM1 ANSI/ASME B1.20.1 NPT S3000**

DN	PN	CARBON STEEL		STAINLESS STEEL	
		ITEM CODE	ITEM CODE	ITEM CODE	ITEM CODE
6	S3000	GM1NNT1F024A000	GM1NNT1F044A000	GM1NNT1F044A000	GM1NNT1F044A000
10	S3000	GM1NNT2F024A000	GM1NNT2F044A000	GM1NNT2F044A000	GM1NNT2F044A000
13	S3000	GM1NNT3F024A000	GM1NNT3F044A000	GM1NNT3F044A000	GM1NNT3F044A000
20	S3000	GM1NNT4F024A000	GM1NNT4F044A000	GM1NNT4F044A000	GM1NNT4F044A000
25	S3000	GM1NNT5F024A000	GM1NNT5F044A000	GM1NNT5F044A000	GM1NNT5F044A000

**(POM seal) GM1 ANSI/ASME B1.20.1 NPT S6000**

DN	PN	CARBON STEEL		STAINLESS STEEL	
		ITEM CODE	ITEM CODE	ITEM CODE	ITEM CODE
6	S6000	GM1NNT1G024A000	GM1NNT1G044A000	GM1NNT1G044A000	GM1NNT1G044A000
10	S6000	GM1NNT2G024A000	GM1NNT2G044A000	GM1NNT2G044A000	GM1NNT2G044A000
13	S6000	GM1NNT3G024A000	GM1NNT3G044A000	GM1NNT3G044A000	GM1NNT3G044A000
20	S6000	GM1NNT4G024A000	GM1NNT4G044A000	GM1NNT4G044A000	GM1NNT4G044A000
25	S6000	GM1NNT5G024A000	GM1NNT5G044A000	GM1NNT5G044A000	GM1NNT5G044A000

**(PEEK seal) GM1 ANSI/ASME B1.20.1 NPT PN**

DN	PN	CARBON STEEL		STAINLESS STEEL	
		ITEM CODE	ITEM CODE	ITEM CODE	ITEM CODE
6	500	GM1NNT15024P000	GM1NNT15044P000	GM1NNT15044P000	GM1NNT15044P000
10	500	GM1NNT25024P000	GM1NNT25044P000	GM1NNT25044P000	GM1NNT25044P000
13	500	GM1NNT35024P000	GM1NNT35044P000	GM1NNT35044P000	GM1NNT35044P000
20	400	GM1NNT44024P000	GM1NNT44044P000	GM1NNT44044P000	GM1NNT44044P000
25	350	GM1NNT53024P000	GM1NNT53044P000	GM1NNT53044P000	GM1NNT53044P000

**(PEEK seal) GM1 ANSI/ASME B1.20.1 NPT S3000**

DN	PN	CARBON STEEL		STAINLESS STEEL	
		ITEM CODE	ITEM CODE	ITEM CODE	ITEM CODE
6	S3000	GM1NNT1F024P000	GM1NNT1F044P000	GM1NNT1F044P000	GM1NNT1F044P000
10	S3000	GM1NNT2F024P000	GM1NNT2F044P000	GM1NNT2F044P000	GM1NNT2F044P000
13	S3000	GM1NNT3F024P000	GM1NNT3F044P000	GM1NNT3F044P000	GM1NNT3F044P000
20	S3000	GM1NNT4F024P000	GM1NNT4F044P000	GM1NNT4F044P000	GM1NNT4F044P000
25	S3000	GM1NNT5F024P000	GM1NNT5F044P000	GM1NNT5F044P000	GM1NNT5F044P000

**(PEEK seal) GM1 ANSI/ASME B1.20.1 NPT S6000**

DN	PN	CARBON STEEL		STAINLESS STEEL	
		ITEM CODE	ITEM CODE	ITEM CODE	ITEM CODE
6	S6000	GM1NNT1G024P000	GM1NNT1G044P000	GM1NNT1G044P000	GM1NNT1G044P000
10	S6000	GM1NNT2G024P000	GM1NNT2G044P000	GM1NNT2G044P000	GM1NNT2G044P000
13	S6000	GM1NNT3G024P000	GM1NNT3G044P000	GM1NNT3G044P000	GM1NNT3G044P000
20	S6000	GM1NNT4G024P000	GM1NNT4G044P000	GM1NNT4G044P000	GM1NNT4G044P000
25	S6000	GM1NNT5G024P000	GM1NNT5G044P000	GM1NNT5G044P000	GM1NNT5G044P000

**(PTFE seal) GM1 ANSI/ASME B1.20.1 NPT S800**

DN	PN	CARBON STEEL		STAINLESS STEEL	
		ITEM CODE	ITEM CODE	ITEM CODE	ITEM CODE
6	S800	GM1NNT1A024F000	GM1NNT1A044F000	GM1NNT1A044F000	GM1NNT1A044F000
10	S800	GM1NNT2A024F000	GM1NNT2A044F000	GM1NNT2A044F000	GM1NNT2A044F000
13	S800	GM1NNT3A024F000	GM1NNT3A044F000	GM1NNT3A044F000	GM1NNT3A044F000
20	S800	GM1NNT4A024F000	GM1NNT4A044F000	GM1NNT4A044F000	GM1NNT4A044F000
25	S800	GM1NNT5A024F000	GM1NNT5A044F000	GM1NNT5A044F000	GM1NNT5A044F000

**(PTFE seal) GM1 ANSI/ASME B1.20.1 NPT S3000**

DN	PN	CARBON STEEL		STAINLESS STEEL	
		ITEM CODE	ITEM CODE	ITEM CODE	ITEM CODE
6	S3000	GM1NNT1F024F000	GM1NNT1F044F000	GM1NNT1F044F000	GM1NNT1F044F000
10	S3000	GM1NNT2F024F000	GM1NNT2F044F000	GM1NNT2F044F000	GM1NNT2F044F000
13	S3000	GM1NNT3F024F000	GM1NNT3F044F000	GM1NNT3F044F000	GM1NNT3F044F000
20	S3000	GM1NNT4F024F000	GM1NNT4F044F000	GM1NNT4F044F000	GM1NNT4F044F000
25	S3000	GM1NNT5F024F000	GM1NNT5F044F000	GM1NNT5F044F000	GM1NNT5F044F000



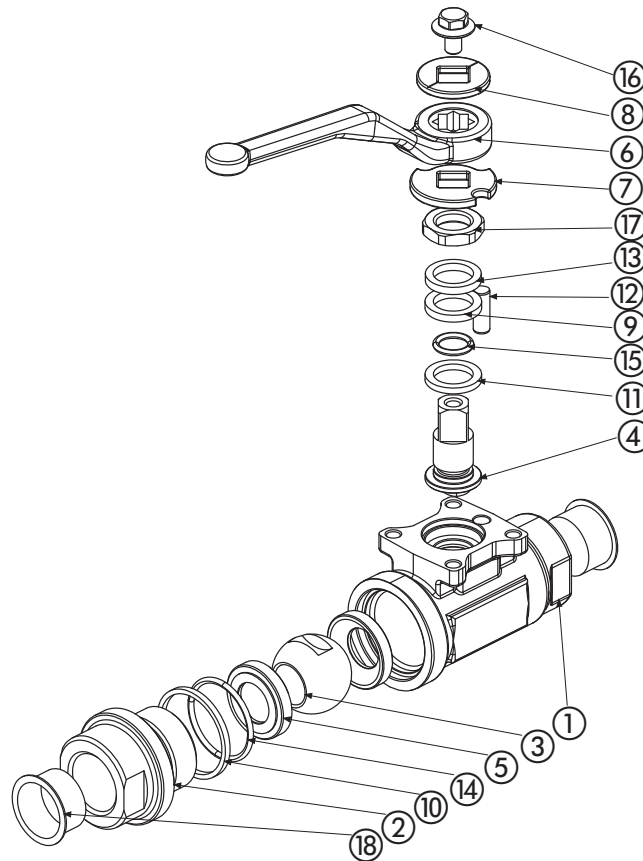


# + GM1

## 2-WAY HIGH PRESSURE BALL VALVES

www.gemels.it

2015 - Edition 2



### Carbon steel

Pos	Description	Material	Q.tà
1	Body	1,0570	1
2	Adapter	1,0570	2
3	Ball	1,4404	1
4	Stem	1,4404	1
5	Ball Seat	PTFE	2
6	Handle	1,0116	1
7	Washer	1,4301	1
8	Washer	1,4301	1
9	Body ring	GRAPHITE	1
10	Adapter ring	GRAPHITE	2
11	Stem ring	PTFE	2
12	Spine	1,4301	1
13	Press ring	1,4301	1
14	Adapter o-ring	NBR	2
15	Stem o-ring	NBR	1
16	Screw	DIN6921 A2	1
17	Nut	1,4301	1
18	Caps	PVC	2

- On request**
- Reduced bore
  - O-Ring in FKM, EPDM, HNBR, KALREZ
  - Seals in PTFE, PEEK, PA612, GEMPTFE, METAL TO METAL
  - Special threads
  - Pressure class up to PN500 or 6000 Psi
  - Locking device

*For further special requests please consult our technical/commercial service*

### Stainless steel

Pos	Description	Material	Q.tà
1	Body	1,4404	1
2	Adapter	1,4404	2
3	Ball	1,4404	1
4	Stem	1,4404	1
5	Ball Seat	PTFE	2
6	Handle	1,0116	1
7	Washer	1,4301	1
8	Washer	1,4301	1
9	Body ring	GRAPHITE	1
10	Adapter ring	GRAPHITE	2
11	Stem ring	PTFE	2
12	Spine	1,4301	1
13	Press ring	1,4301	1
14	Adapter o-ring	NBR	2
15	Stem o-ring	NBR	1
16	Screw	DIN6921 A2	1
17	Nut	1,4301	1
18	Caps	PVC	2

- On request**
- Reduced bore
  - O-Ring in FKM, EPDM, HNBR, KALREZ
  - Seals in PTFE, PEEK, PA612, GEMPTFE, METAL TO METAL
  - Special threads
  - Pressure class up to PN500 or 6000 Psi
  - Locking device