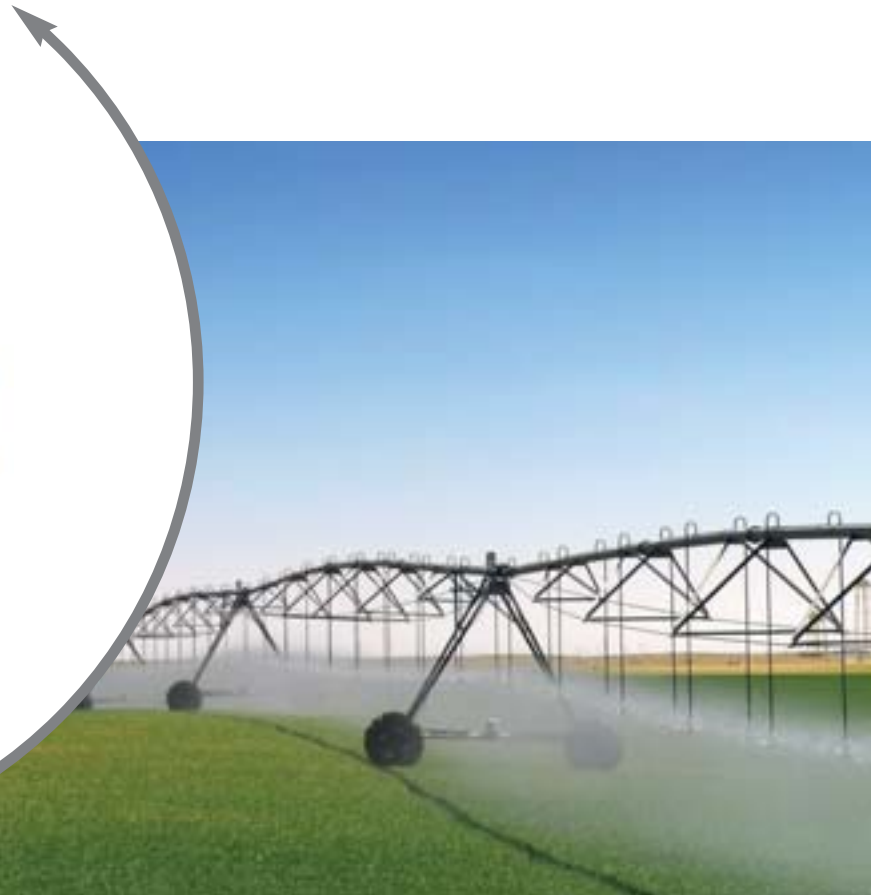


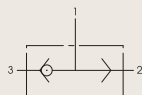
+ GEV

SHUTTLE VALVES



CARBON STEEL

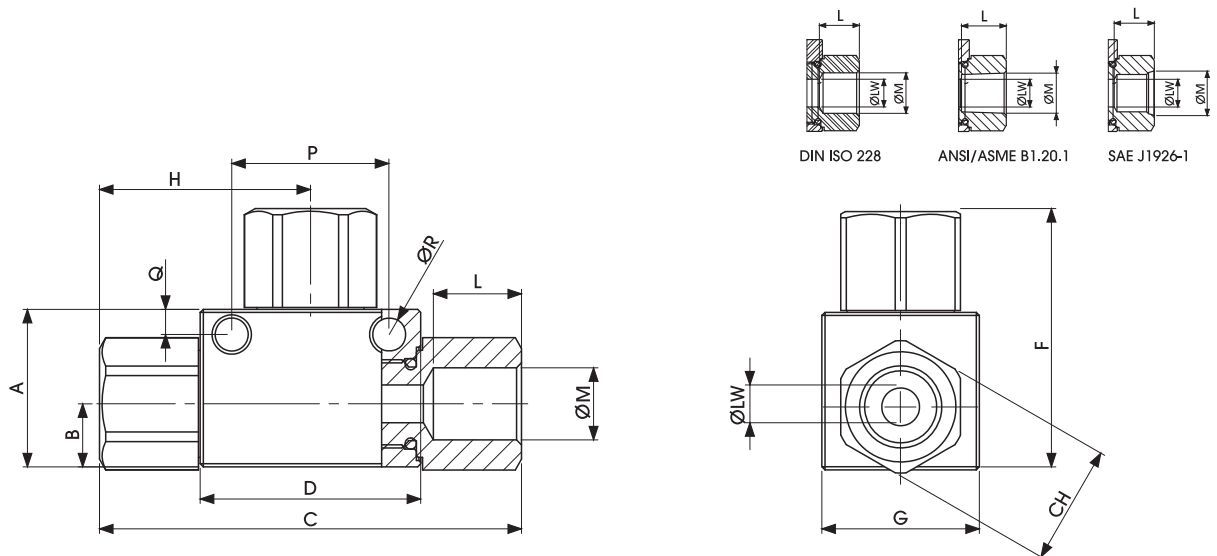
- Type: ball valve GEV 3 way
- Body: square
- Material: 1,0737
- Ball seats: from DN6 up to DN25
- Operating pressure: PN 250
- Temp range: -20°C to +100°C depending on seal material selected



	GEV		G 1/2		DN13	CS	
Type and way of valve	GAS DIN/ISO 228 BSP	NPT ANSI/ASME B1.20.1	SAE J1926-1	DIN 2353 HEAVY SERIES	DIN 2353 LIGHT SERIES	Nominal dimension	Material
GEV 3-way	G 1/8	N 1/8	SAE4	8S	8L	DN6	CS Carbon steel
	G 1/4	N 1/4	SAE6	14S	10L	DN10	
	G 3/8	N 3/8	SAE8	20S	15L	DN13	
	G 1/2	N 1/2	SAE12	25S	22L	DN20	
	G 3/4	N 3/4	SAE16	30S	28L	DN25	
	G 1	N 1	SAE20R				

+ GEV SHUTTLE VALVES

Specialist in Ball Valves



GEV DIN/ISO 228 BSP

Standard

CARBON STEEL

TYPE	PN	DN	A	B	C	D	F	G	H	L	ØM	ØLW	P	Q	ØR	CH	KG	ITEM CODE
GEV 1/4	25 Mpa	6	25	10	67	35	41	25	33,5	15,5	G 1/4	6	25	3,5	5,25	19	0,47	GEVGGT120110000
GEV 3/8	25 Mpa	10	40	17,4	78,6	50	54,3	35	39,3	15,5	G 3/8	10	40	5	5,25	30	0,679	GEVGGT220110000
GEV 1/2	25 Mpa	13	40	17,4	88,5	55	57,3	35	44,8	17	G 1/2	13	45	5	5,25	32	0,725	GEVGGT320110000
GEV 3/4	25 Mpa	20	55	23	107,5	75	71,5	45	53,5	21	G 3/4	20	60	6	6,25	41	1,724	GEVGGT420110000
GEV 1"	25 Mpa	25	65	31	126	80	93	60	63	24	G 1"	25	60	6	6,25	50	2,917	GEVGGT520110000

GEV ANSI/ASME B1.20.1 NPT

Standard

CARBON STEEL

TYPE	PN	DN	A	B	C	D	F	G	H	L	ØM	ØLW	P	Q	ØR	CH	KG	ITEM CODE
GEV N 1/4	25 Mpa	6	25	10	67	35	41	25	33,5	15,5	N 1/4	6	25	3,5	5,25	19	0,47	GEVNNT120110000
GEV N 3/8	25 Mpa	10	40	17,4	78,6	50	54,3	35	39,3	15,5	N 3/8	10	40	5	5,25	30	0,679	GEVNNT220110000
GEV N 1/2	25 Mpa	13	40	17,4	88,5	55	57,3	35	44,8	17	N 1/2	13	45	5	5,25	32	0,725	GEVNNT320110000
GEV N 3/4	25 Mpa	20	55	23	107,5	75	71,5	45	53,5	21	N 3/4	20	60	6	6,25	41	1,724	GEVNNT420110000
GEV N 1"	25 Mpa	25	65	31	126	80	93	60	63	24	N 1"	25	60	6	6,25	50	2,917	GEVNNT520110000

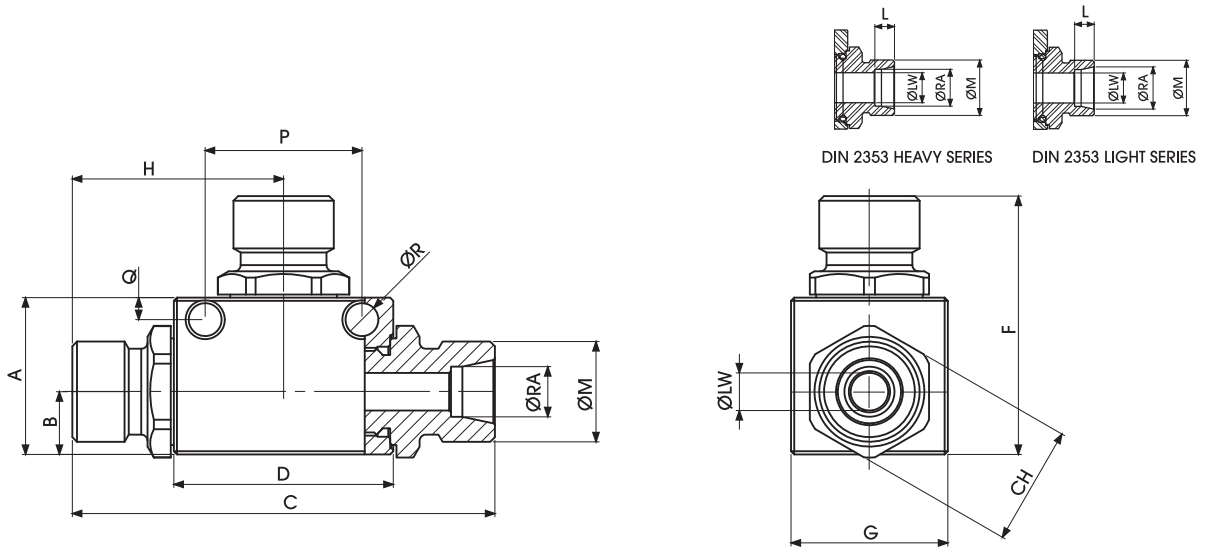
GEV SAE J1926-1

Standard

CARBON STEEL

TYPE	PN	DN	A	B	C	D	F	G	H	L	ØM	ØLW	P	Q	ØR	CH	KG	ITEM CODE
GEV SAE4	25 Mpa	6	25	10	67	35	41	25	33,5	15,5	7/16 UNF	6	25	3,5	5,25	19	0,47	GEVEEE020110000
GEV SAE6	25 Mpa	10	40	17,4	78,6	50	54,3	35	39,3	15,5	9/16 UNF	10	40	5	5,25	30	0,679	GEVEEE120110000
GEV SAE8	25 Mpa	13	40	17,4	88,5	55	57,3	35	44,8	17	3/4 UNF	13	45	5	5,25	32	0,725	GEVEEE220110000
GEV SAE12	25 Mpa	20	55	23	107,5	75	71,5	45	53,5	21	1 1/16 UNF	20	60	6	6,25	41	1,724	GEVEEE320110000
GEV SAE16	25 Mpa	25	65	31	126	80	93	60	63	24	1 5/16 UNF	25	60	6	6,25	50	2,917	GEVEEE420110000

+ GEV SHUTTLE VALVES



GEV DIN 2353 HEAVY SERIES

Standard

CARBON STEEL

TYPE	PN	DN	A	B	C	D	F	G	H	L	ØM	ØLW	ØRA	CH	P	Q	ØR	KG	ITEM CODE
GEV 8S	25 MPa	6	25	10	67	35	41	25	33,5	7	M16x1.5	6	8	19	25	3,5	5,25	0,438	GEVDDS020110000
GEV 14S	25 MPa	10	40	17,4	88	50	59	35	44	7	M22x1.5	10	14	30	40	5	5,25	0,759	GEVDDS320110000
GEV 20S	25 MPa	13	40	17,4	99,5	55	62	35	49,8	10,5	M30x2	13	20	32	45	5	5,25	0,776	GEVDDS520110000
GEV 25S	25 MPa	20	55	23	123,5	75	78,5	50	61,75	12	M36x2	20	25	41	60	6	6,25	1,773	GEVDDS620110000
GEV 30S	25 MPa	25	70	31	134	75	97	60	67	13,5	M42x2	25	30	50	60	6	6,25	2,696	GEVDDS720110000

GEV DIN 2353 LIGHT SERIES

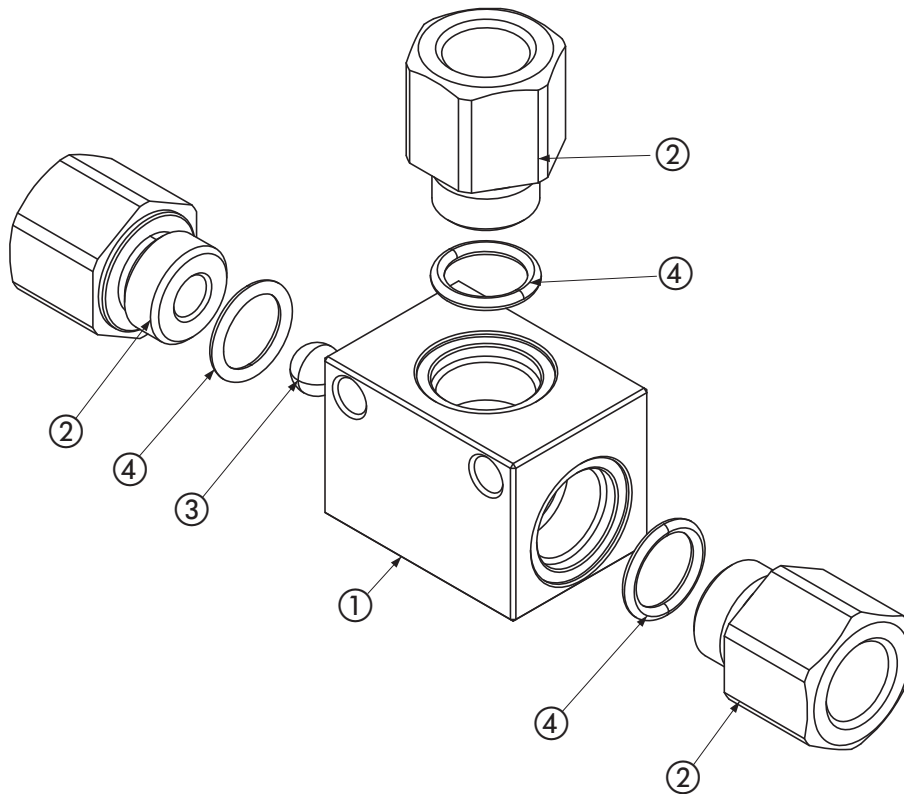
Standard

CARBON STEEL

TYPE	PN	DN	A	B	C	D	F	G	H	L	ØM	ØLW	ØRA	CH	P	Q	ØR	KG	ITEM CODE
GEV 8L	25 MPa	6	25	10	67	35	41	25	33,5	6,7	M14x1.5	6	8	19	25	3,5	5,25	0,44	GEVDDL120110000
GEV 10L	25 MPa	10	40	17,4	82,2	50	56,1	35	41,1	6,7	M18x1.5	10	10	30	40	5	5,25	0,63	GEVDDL220110000
GEV 15L	25 MPa	13	40	17,4	93,6	55	59	35	46,8	7	M22x1.5	13	15	32	45	5	5,25	0,696	GEVDDL420110000
GEV 22L	25 MPa	20	55	23	122,3	75	78,5	50	61,3	7,5	M30x2	20	22	41	60	6	6,25	1,746	GEVDDL620110000
GEV 28L	25 MPa	25	70	31	131	75	95	60	65,5	7,5	M36x2	25	28	50	60	6	6,25	2,639	GEVDDL720110000

+ GEV SHUTTLE VALVES

2014 - Edition 2



Carbon steel

Pos	Description	Material	Q.tà
1	Body	1,0737	1
2	Adapter	1,0737	2
3	Ball	UNI3545	1
4	Adapter o-ring	NBR	2

For further special requests please consult our technical/commercial service

On request

- Reduced bore
- O-Ring in FKM, EPDM, HNBR, KALREZ
- Special threads
- Pressure class up to PN25 MPa